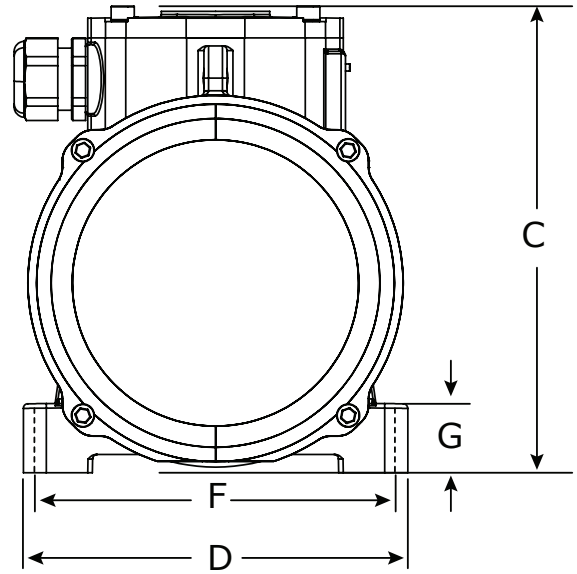
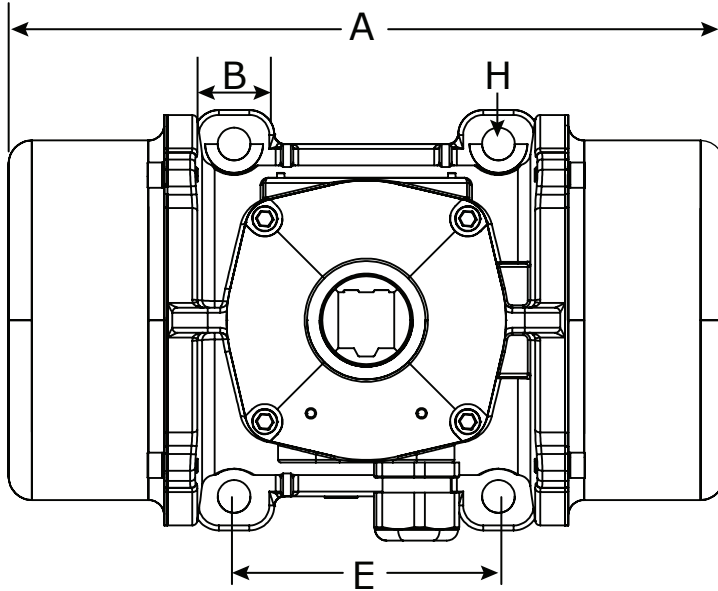
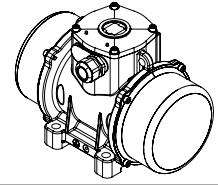




Jamieson Equipment Co.
 5314 Palmero Court | Buford, GA 30518
 678.745.3020 | 800.875.0280 (Toll Free)
 www.jamiesonequipment.com
 sales@jamiesonequipment.com



Dimensions for QT2-X Upper Range Rotary Electric Vibrators

| Vibrator Model | Weight | A | B | C | D | E | F | G | H |
|----------------|--------|--------------|------------|--------------|-------------|-------------------------|------------------------|----------------|----------------|
| | | Total Length | Foot Width | Total Height | Total Width | Bolt Hole Center Length | Bolt Hole Center Width | Foot Thickness | Bolt Hole Size |
| | | lbs | in | in | in | in | in | in | in |
| | | kg | mm | mm | mm | mm | mm | mm | mm |
| QT2-1500X-3 | 44 | 12.14 | 1.5 | 8.45 | 8.06 | 4.74 | 6.70 | 1.58 | .65 |
| | 20 | 308 | 38 | 214.5 | 205 | 120 | 170 | 40 | 17 |
| QT2-2000X-3 | 55.2 | 17.15 | 2.36 | 9.40 | 8.25 | 4.74 | 6.70 | 0.88 | .65 |
| | 25.0 | 436 | 60 | 239 | 210 | 120 | 170 | 22 | 17 |
| QT2-2500X-3 | 76.0 | 17.25 | 2.84 | 10.10 | 9.06 | 5.50 | 7.47 | 1.00 | .65 |
| | 34.5 | 438 | 72 | 257 | 230 | 140 | 190 | 25 | 17 |
| QT2-3500X-3 | 78.2 | 17.25 | 2.84 | 10.10 | 9.06 | 5.50 | 7.47 | 1.00 | .65 |
| | 35.5 | 438 | 72 | 257 | 230 | 140 | 190 | 25 | 17 |
| QT2-4500X-3 | 113.5 | 18.05 | 3.21 | 9.27 | 9.06 | 5.50 | 7.47 | 0.88 | 365 |
| | 51.5 | 458 | 81.5 | 235 | 230 | 140 | 190 | 22 | 17 |